

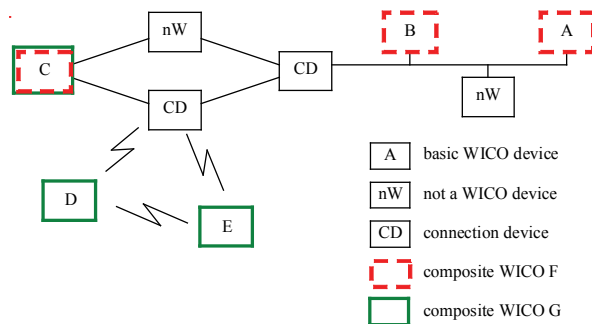
The EMP2 platform

EMMA Middleware for embedded system

What is a WICO?

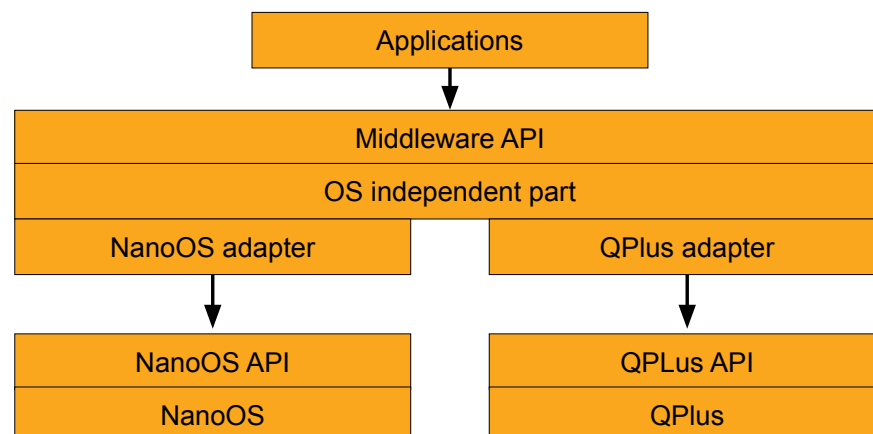
- A Wireless Cooperating Object is a collection of sensors, controllers (information processors), actuators, or other Cooperating Objects that communicate with each other in order to accomplish a common task.

Logical and physical EMMA network



Basic WICOs can be grouped arbitrarily into composite WICOs as long as an underlying communication path exists between all WICOs belonging into the same composite WICO.

- How the EMMA messages are sent via a certain communication technology is not defined by the EMMA middleware but by the communication adapter that is implemented for each communication technology and that is part of the OS-specific adapter.



Contact:

Project Coordinator: Antonio Marqués
 ETRA INVESTIGACIÓN Y DESARROLLO S.A.
 Tel: +34 96 313 40 82, Fax: +34 96 350 32 34
 E-mail: technology-projects.etra-id@etra.es
 Website: www.emmaproject.eu